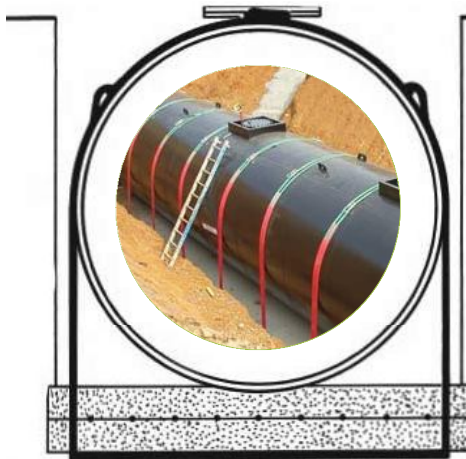


Accessories

Tanklash Woven Nylon Straps



Lashing Kit includes:

- 1 Anchor strap fitted with protective corners
- 1 Tension strap with ratchet attached

Weight 5 - 6kgs per lashing according to tank dia.

Patent Appn. 81.27759

The Ratchet Tensioner

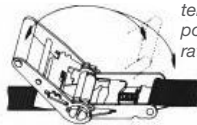
1. To tension

Pull webbing through ratchet taking-up all slack



2.

Pump handle and tension as tight as possible. Close ratchet as in fig. 3



3. To release for retensioning

Pull webbing through ratchet taking-up all slack



4.

Push handle flat through 180° to release safety catch



Ladders



- Galvanised after manufacture in accordance with BS EN 1461
- Hot dip galvanising is carried out at a temperature of 450°C and the resultant zinc coating becomes an integral part of the steel that it protects.

Typical Connections

