

Bio-Envirotank

Rectangular Aboveground Enclosed Bunded Storage Tanks (*Inner tank externally stiffened and with a sloping hopper style bottom*)

A unique design ("Pat App 2 477 266") comprising a primary storage tank without internal structure to enable ease of internal inspection and cleaning. The base of the tank has a sloping hopper style bottom to a sump, the sump being serviced by a 25mm sludge drain pipe accessible from the tank top.

The concept with correctly positioned manway inspection points allows tank cleaning without man entry reducing the need for confined space entry health and safety procedures.

The primary tank is enclosed by an outer steel bund that fully complies with the control of pollution regulations, the bund holding the inner tank capacity plus 10% (110% containment).

The tank can be split into compartments for gas oil/diesel/oils/Adblu and process liquids. Internal tank linings can easily be applied due to the unrestrictive internal tank construction.

External manways and connections are enclosed within a steel secure hatch which is padlockable to prevent tampering.

End or side mounted security cabinets can be fitted including steel or roller shutter doors and integral spillage trays, to house pipework, pumps, gauging, alarms and controls.

Designed life 20 years.

Inner tank and outer bund pressure tested.

Design for the Future

With developing Bio-fuels water content and bacterial growth is becoming more of an issue in tanks; regular tank cleaning and inspections are now necessary.

Entering tanks presents health and safety concerns and by constructing a tank with free internal space (*no cross stays*) makes entry and egress easier and safer. Access and retrieval of remotely controlled cleaning technologies (*non man entry systems*) is also more practical with **Bio-Envirotanks**.

The incorporation of sloping bases and sumps helps reduce the frequency of cleaning as water and contaminants will easily drain into the sump. Residues are extracted via the sludge drain pipe which runs from the tank top to the sump.



Bio-Envirotank

Ref	Capacity Litres	Length mm	Width mm	Height mm	Weight (Approx)Kg
BE1	2500	1410	1460	2000	1372
BE2	5000	2610	1460	2000	2202
BE3	7500	3760	1460	2000	2937
BE4	10000	3310	2010	2000	3306
BE5	15000	5080	2010	2000	4680
BE6	20000	5560	2410	2000	5557
BE7	30000	6740	2410	2400	7372
BE8	40000	7164	3030	2400	9025
BE9	50000	8864	3030	2400	10839
BE10	70000	9626	3008	3048	15702
BE11	90000	12276	3008	3048	19438
BE12	120000	15476	3160	3048	24249
BE13	140000	16076	3160	3400	26484
BE14	180000	17905	3600	3400	30700

Heating

Low pressure hot water and steam coils can be built into the tank bottom if needed or electrically powered submersion heaters. All heating can be provided with temperature sensors and control thermostats.

Lagging and cladding can be added to the outside of the unit for heating efficiency.

Gauging

- Hydrostatic gauges in litres
- Electronic gauges in litres
- Differential and level measurement systems for closed vent tanks
- Water monitor indicators are available with electronic gauges

Electrical

Lighting, wiring and distribution boards with isolators to suit equipment fitted.

Heating Options

- Low pressure hot water coils
- Steam coils
- Immersion/submersion heaters
- Lagging and cladding to minimise heat losses

Cabinets

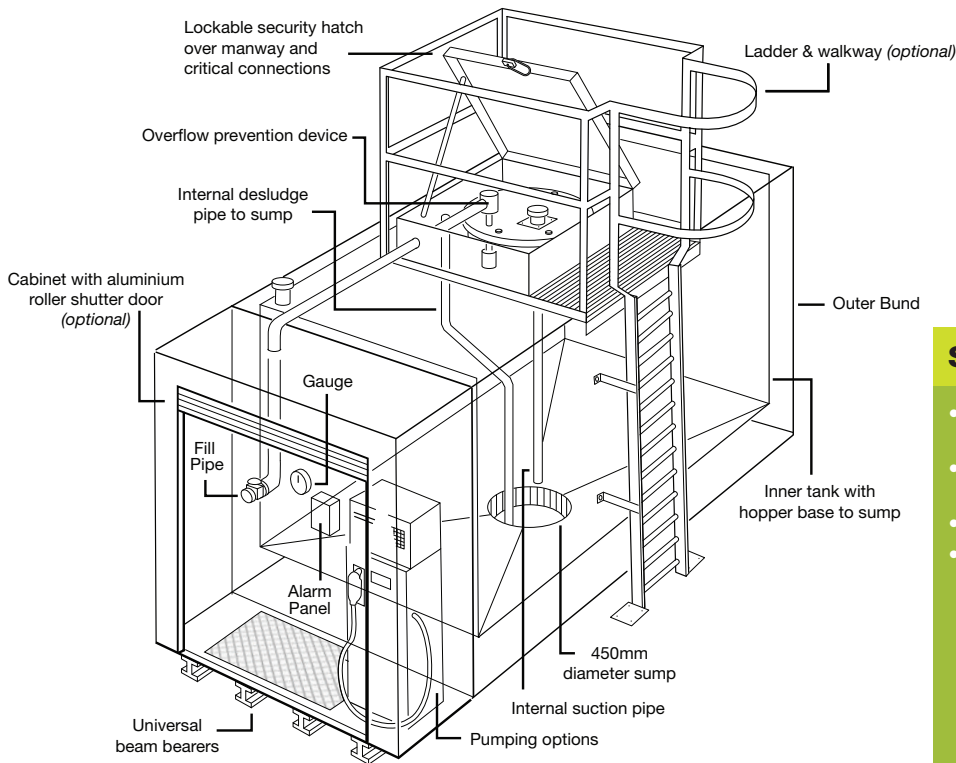
- Side cabinets and end cabinets
- Roller shutter doors or steel hinged doors

Access

- Vertical caged ladders and walkways
- Ships ladder and walkways
- Stairway to walkway
- All galvanised finish with open mesh or chequer plate flooring

Features

- Enclosed bunded tank design
- Reduced maintenance costs
- Needs only suitable level hardstanding for siting
- Easily transportable
- Lifting eyes for offloading
- Overfilled product can be reused
- Fill pipe sizes 50mm/65mm/80mm complete with isolation valve
- Tanker coupling and cap and chain
- Venting systems to suit fill size
- 25mm desludge pipe to sump
- 50mm outlet pipe for gravity feed or top suction
- 50mm and 80mm overflow prevention valves available to shut off the tanker fill when the primary tank reaches capacity
- Electronic low level and overflow alarm units
- Electronic bund warning alarm units
- Transfer pump sets available to feed boilers and generators
- Dispensing pumps available with automatic nozzles
- Fuel monitoring systems fitted to suit customer needs.



Specialist Features (optional)

- 50mm/65mm/80mm vent dryers to minimise moisture and condensation
- Internal linings to keep fuel sterile and prevent corrosion
- Stainless steel pipework and fittings.
- Specialist filters including magnetic filter technology in order to reduce bacteria in the tank bottom.

Optional Bolt on Pitched Roof to secure all Top Pipework & Tank Entries

