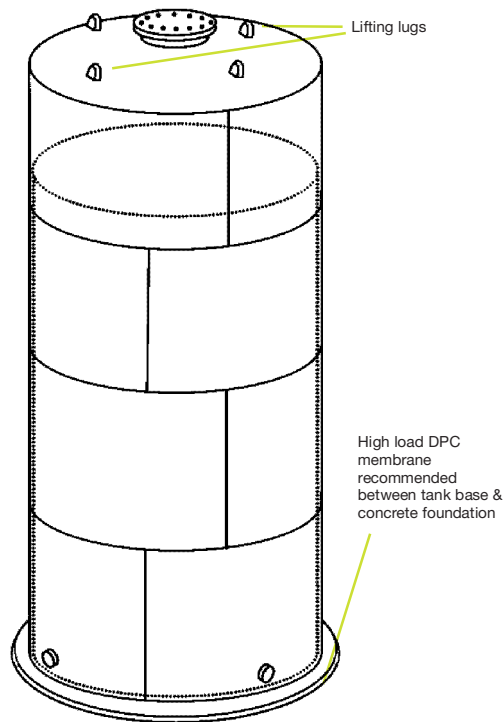


# Vertical Enclosed Bunded Storage Tanks



- Manufactured in accordance with BS 799: Part 5: **Type G & BS EN 14015** from steel plate to BS EN 10 025: 2004: S275
- Compliance with CoP regulations
- One coat of zinc phosphate primer, one coat of green oil resistant paint
- Access ladders, platforms, steelwork & periphery hand railing available
- Outer bund to contain the capacity of the inner tank plus 10%
- Supplied with dished or coned roof
- Access ladders, platforms, steelwork & periphery hand railing available
- Screwed or Flanged connections available
- External & Internal pipe work fitted to suit application
- Inner tank and outer bund pressure tested.



## [V2 Range] Cylindrical

Ref	Capacity Litres	Height mm	Diameter mm	Shell Thk		Base Thk mm	Weight (Approx) Kg
				Inner mm	Outer mm		
V201	10000	4290	1900	6	5	6	2825
V202	15000	4025	2500	6	5	8	3739
V203	20000	5215	2500	6	5	8	4573
V204	25000	6405	2500	6	5	8	5275
V205	30000	7595	2500	6	5	8	6056
V206	35000	7180	2743	6	5	10	6700
V207	40000	8150	2743	6	5	10	7393
V208	50000	10100	2743	6	5	10	8782
V209	60000	10160	3000	6	5	10	9757
V210	70000	11790	3000	6	5	10	11026
V211	80000	9970	3500	8	6	10	13863
V212	90000	11170	3500	8	6	10	15245
V213	100000	12370	3500	8	6	10	16627
V214	110000	13570	3500	8	6	10	18010
V215	120000	11440	4000	8	6	10	18071
V216	130000	12360	4000	8	6	10	19280
V217	140000	13280	4000	8	6	10	20489

