

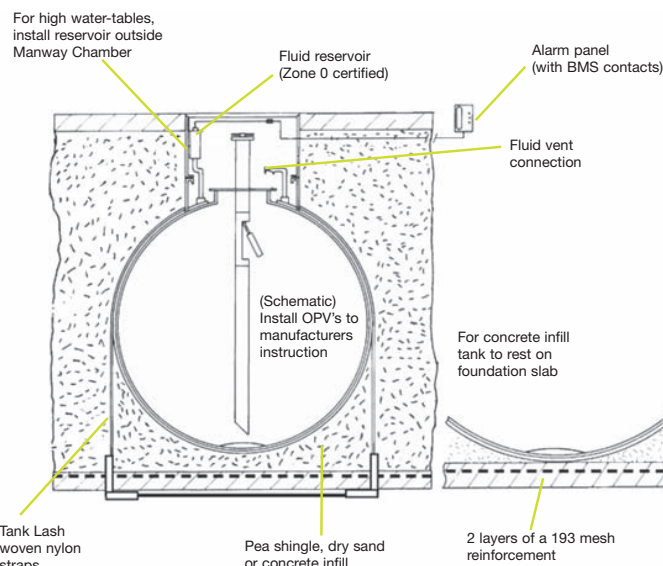
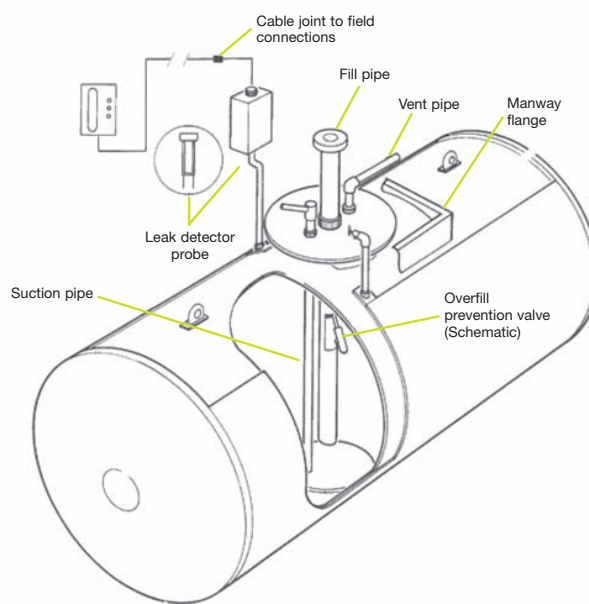
Belowground Double Skin Storage Tanks

The Belowground **ENVIROTANK** is the latest concept in the containment of hazardous fuels and chemicals, offering continuous protection to the surrounding environment. With its unique Leak Monitoring System the **ENVIROTANK** will warn you if failure should occur without any loss of product.

The **ENVIROTANK** is produced from Certified Carbon Steel for strength and protected externally with two coats of black bitumen or a tough corrosion resistant polyurethane coating, spark tested prior to despatch. The cavity between the inner and outer skin is filled at our works with specialised leak fluid and sealed prior to despatch. Designed for 98% containment of product and can be supplied with overfill prevention valves if required. The inner tank and outer skin are pressure tested at our works and certificates issued. The ENVIROTANK is normally delivered by our own fleet of vehicles in order to ensure delivery schedules are maintained. Since being established in 1857 J A Envirotanks are one of the leading suppliers to the Petroleum industry.

Our design is similar to storage tanks installed in Europe for the last 20 years. Manufactured to BS EN 12285-1:2003. From Steel plate to BS EN 10 025: 2004: S275

Compliance with the control of pollution regulations.



Additional Fittings

- Holding down straps with ratchet tensioners
- Content gauges
- Dipsticks
- Overfill prevention valve with or without offset fill adapters
- Internal fill pipes
- Internal suction pipes
- Leak detection device (intrinsically safe) complete with reservoir, alarm unit, relay and probe
- Installation kit for leak detection device
- Four litre container of leak detection fluid for filling reservoir on site
- Manway flanges for connection GRP access chambers.

Advantages

- Continuous monitoring for total environmental protection
- Product stocks are safely contained
- Tank continuously under test throughout its life
- Tanks can be encased in a suitable granular or concrete back fill
- Multi compartment tanks are available to customers requirements
- Simplicity of design reduces costly site time
- Design approved by leading oil companies
- Manufactured at our Birmingham facility ideally suited on the hub of the UK motorway network
- Accurate gauging systems available (magnetostrictive and ultrasonic).



Envirotank Cylindrical

Ref	Capacity Litres	O/A Length (inner tank)mm	Inside Dia (inner tank)mm	O/A Length (outer tank)mm	Outer Dia (outer skin)mm	Weight (Approx)Kg
EU01	2,000	1,404	1,500	1416	1530	900
EU02	5,000	3,235	1,500	3250	1530	1200
EU03	7,000	2,803	1,900	2815	1930	1900
EU04	10,000	3,970	1,900	3985	1930	2100
EU05	12,000	4,725	1,900	4740	1930	2600
EU06	13,637	2,708	2,743	2720	2773	2800
EU07	13,637	3,180	2,500	3192	2530	2800
EU08	15,000	5,900	1,900	5915	1930	3000
EU09	18,184	3,515	2,743	3527	2773	3375
EU10	18,184	4,153	2,500	4165	2530	3375
EU11	20,000	4,610	2,500	4625	2530	3700
EU12	22,729	4,268	2,743	4280	2773	4100
EU13	22,729	5,080	2,500	5092	2530	4100
EU14	25,000	5,670	2,500	5685	2530	4400
EU15	25,000	4,770	2,743	4785	2773	4400
EU16	27,275	5,030	2,743	5042	2773	4670
EU17	27,275	6,045	2,500	6054	2530	4670
EU18	30,000	6,810	2,500	6825	2530	5300
EU19	30,000	5,670	2,743	5685	2773	5300
EU20	31,821	5,791	2,743	5803	2773	5380
EU21	31,821	7,005	2,500	7017	2530	5380
EU22	35,000	7,678	2,500	7690	2530	6050
EU23	36,368	6,553	2,743	6565	2773	5830
EU24	36,368	7,968	2,500	7980	2530	5830
EU25	40,000	8,656	2,500	8668	2530	6700
EU26	40,000	7,239	2,743	7251	2773	6700
EU27	40,913	7,315	2,743	7327	2773	6750
EU28	40,913	8,848	2,500	8860	2530	6750
EU29	45,459	8,052	2,743	8064	2773	7200
EU30	45,459	9,802	2,500	9814	2530	7200
EU31	50,000	10,754	2,500	10766	2530	8150
EU32	50,000	9,190	2,743	9205	2773	8150
EU33	54,551	9,754	2,743	9766	2773	8510
EU34	54,551	11,709	2,500	11721	2530	8510
EU35	55,000	11,803	2,500	11815	2530	8650
EU36	60,000	12,853	2,500	12865	2530	9700
EU37	60,000	10,990	2,743	11005	2773	9700
EU38	68,189	12,168	2,743	12180	2773	10410
EU39	68,189	14,571	2,500	14583	2530	10410
EU40	70,000	10,074	2,986	10086	3012	8795
EU41	80,000	11,607	2,986	11619	3012	9929
EU42	90,000	13,142	2,986	13154	3012	11065
EU43	100,000	14,676	2,986	14688	3012	12200
EU44	120,000	17,744	2,986	17756	3012	14470
EU45	130,000	14,916	3,350	14928	3384	15996