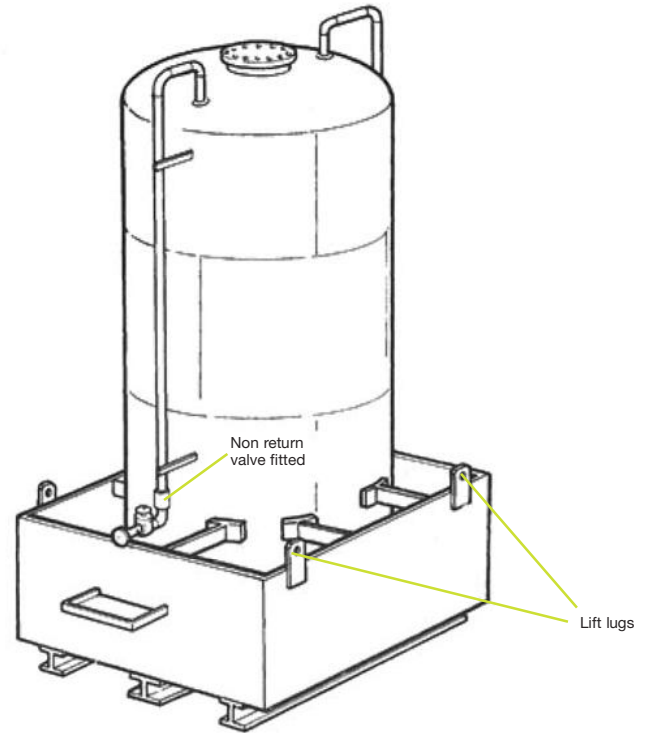


Vertical Bunded Cylindrical Tanks

- One coat of zinc phosphate primer, one coat of green oil resistant paint
- Inner tank manufactured generally to BS 799 Part 5 **Type G**
- Side manway available on inner tank only
- Screwed or Flanged connections available
- Pipe work fitted to suit application
- Compliance with CoP regulations
- Outer bund to contain the capacity of the inner tank plus 10%
- Access ladders, platforms, steelwork & periphery hand railing available
- Inner tank pressure tested
- Bund tested sound.



Additional Fittings

- 50mm/65mm/80mm diameter fill pipe with valve and brass cap
- Vent complete with bird guard
- 25mm diameter sludge complete with valve and plug
- 40mm diameter draw off complete with valve
- Hydrostatic contents gauge complete with capillary tube and bracketed to the bund tank
- Pumps available to suit application

Ref	Inner Tank (Dia x H) mm	No of Tanks	Capacity Litres	Bund Size (L x W x H) mm
B61	1500 x 1545	1	2270	1981 x 1981 x 686
B62	1500 x 2895	1	4545	1981 x 1981 x 1390
B64	1900 x 3590	1	9120	2438 x 2438 x 1775
B65	2486 x 2905	1	11364	2935 x 2935 x 1524
B66	2486 x 3400	1	13638	2935 x 2935 x 1828
B67	2743 x 3352	1	18183	3200 x 3200 x 1981
B68	3000 x 3505	1	22730	3657 x 3505 x 1981

All the above tanks are transported as one piece units (B61-B68)

B69	2743 x 5029	1	27275	4114 x 3656 x 1981
B70	2743 x 6477	1	36368	3810 x 3656 x 2896
B71	2743 x 8051	1	45450	4724 x 3656 x 2896
B72	2743 x 9753	1	54551	5638 x 3656 x 2896
B73	3000 x 10261	1	68189	5638 x 3656 x 3656
B74	2743 x 6477	2	72735	7010 x 3656 x 1981
B75	2743 x 8051	2	90919	8382 x 3656 x 1981
B76	2743 x 9753	2	109103	9753 x 3656 x 1981
B77	3000 x 10261	2	136379	12115 x 3656 x 1981
B78	3000 x 11227	2	150000	12115 x 3656 x 2200

All the above tanks are transported as separate units to be bolted together at site (B69-B77)

Tank and Bund from 6mm thick mild steel plate